

“More independence with your personal care”



ROPOX TOILET SUPPORT ARMS

SOMETHING TO LEAN ON

Toilet support arms are a great aid for those who need assistance on and off the toilet. Their ergonomic shape and rubber surface provides a comfortable grip, and the cleaning-friendly surface optimizes hygiene.

The wave models are designed with two heights and an anti-slip surface, allowing for a firm grip from both standing and seated position.

With the use of the optional height adjustment accessory, the support arms may be adjusted in height to suit the individual user's needs.

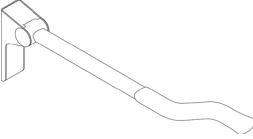
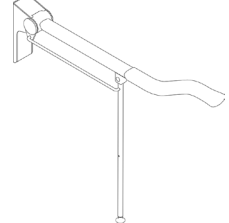
For extra space in the bathroom, the support arms may be folded up to vertical position when not in use.



ROPOX TOILET SUPPORT ARMS

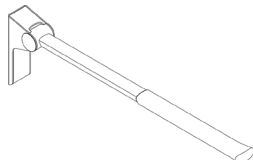

Height adjustment: 7.8" (20 cm)
(with height adjustment unit)

Max. user weight: Tested acc. to DS/ISO 17966:2016 (see max. user weight below)

WAVE - 36"	
	
551 lbs. (250 kg) Item no.: 40-40421 gray Item no.: 40-40426 red	727 lbs. (330 kg) Item no.: 40-40431 gray Item no.: 40-40436 red

WAVE - 30"

551 lbs. (250 kg) Item no.: 40-40420 gray Item no.: 40-40425 red

STRAIGHT - 36"	
	
551 lbs. (250 kg) Item no.: 40-40402 gray Item no.: 40-40407 red	727 lbs. (330 kg) Item no.: 40-40430 gray Item no.: 40-40435 red

STRAIGHT - 30"

551 lbs. (250 kg) Item no.: 40-40401 gray Item no.: 40-40406 red

STRAIGHT - 26"

551 lbs. (250 kg) Item no.: 40-40400 gray Item no.: 40-40405 red

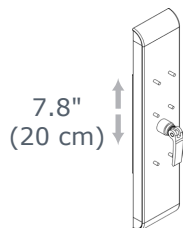
The anti-slip surface is available in gray (RAL 7037) and red (RAL 3003).

ACCESSORIES

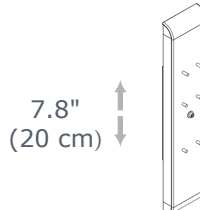
Toilet roll holder
Item no.: 40-40452



Height adjustment
(Quick release)
Item no.: 40-40450



Height adjustment
(Adjusted with tool)
Item no.: 40-40451



Scan here to learn more.

