



”The optimum washbasin for both seated and standing users”

ROPOX SLIMLINE

WHEN YOU PREFER WASHBASIN AND MIRROR IN A COMBINED, SLIM AND ELEGANT SOLUTION

The SlimLine washbasin combines mirror and basin in one unit, and the mirror is therefore always at the right height no matter if you are sitting in a wheelchair or standing up. You adjust the height with a push on the control switch which is always within reach as it is located right under the mirror.

The Support washbasin gives good access and integrated handles that increases safety for users with limited physical capability.

The SlimLine washbasin and mirror is one unit and takes up 3-1/4 inches (8 cm) from the wall.

With the SlimLine washbasin, it is possible to minimize bacterial growth so that you can maintain a high level of hygiene.



ROPOX™

BETTER WAYS TO BETTER DAYS

- A PART OF AddLife®

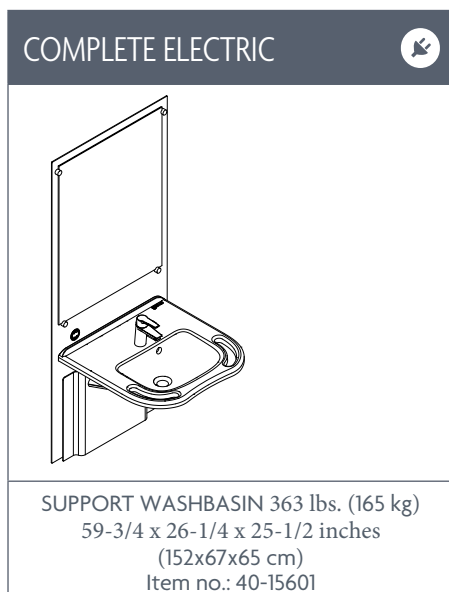
ROPOX SLIMLINE

Height adjustment:

11-3/4 in (30 cm) 27-1/2 in - 39-1/4 in (70-100 cm)

Max. user weight: Tested acc. to DS/ISO17966:2016
(see max. user weight below)

VARIANT/MODEL



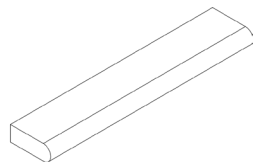
Mixer tap and plumbing kit as well as cover for installation is included with the washbasins.
* Washbasins are without overflow.

ACCESSORIES

Hand control
V-nr.: 40-15630



Fixed light
V-nr.: 40-44182



Plug with overflow
V-nr.: 40-40935



Extended lever for
one-handle mixer tap
Item no.: 40-44041



Touchless mixer tap
Item no.: 40-44045



NB! Find more information about measurements, technical data, installation interfaces and much more under the product and in the instruction manuals on our website.



ProCare is the exclusive distributor of Ropox products in the United States.
Contact our office or your local dealer today for more information
www.procare-innovations.com 855-528-0421

ROPOX™
BETTER WAYS TO BETTER DAYS

- A PART OF AddLife

No. UK_1962409_0123