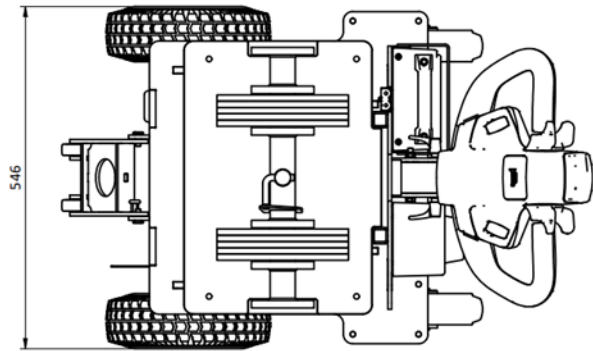
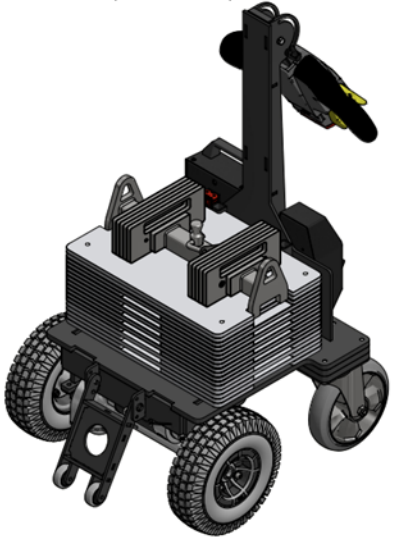
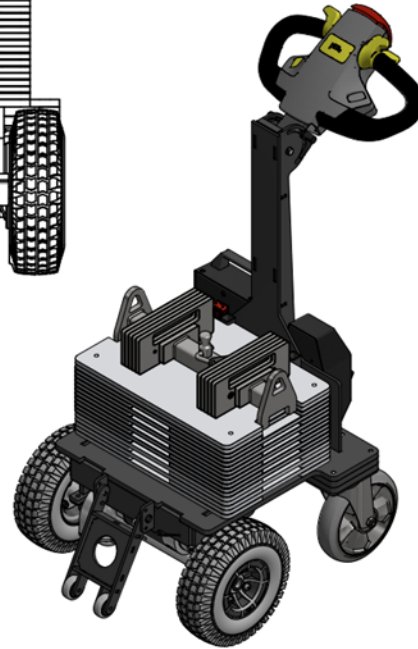
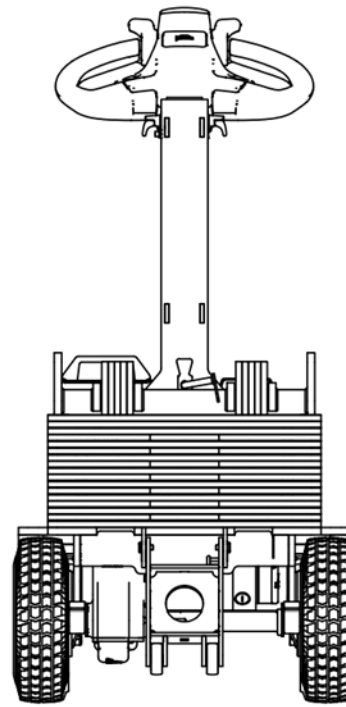
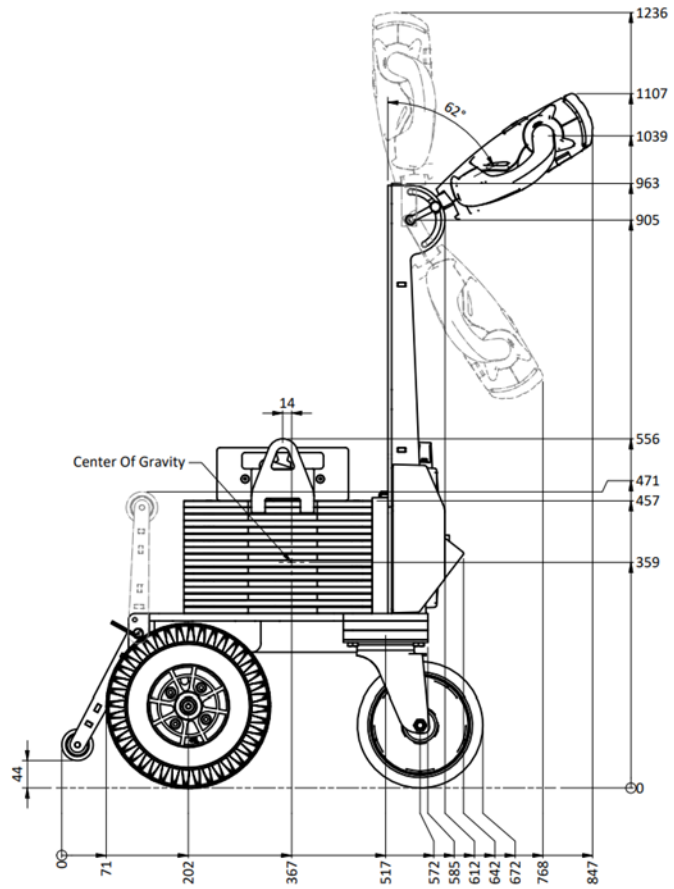
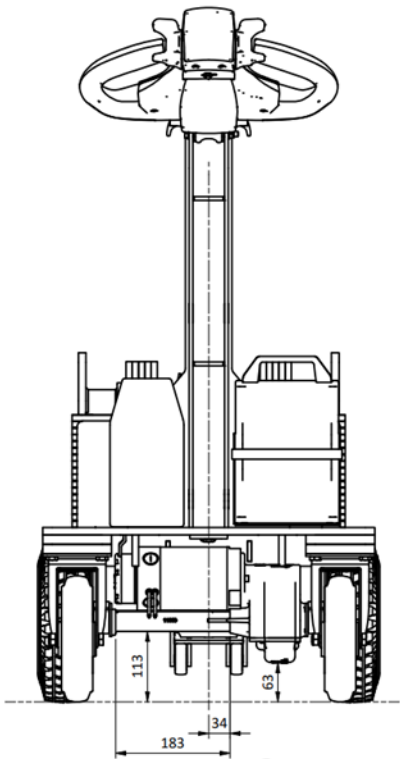


Procare USA

IMMO Denmark A/S

Weight Load Tester 255kg



Created Date 07-02-2023	Revised date	Friis Hansens Vej 9 <i>Powered by</i>	
Created by Heg	Revised by	DK-7100 Vejle +45 7585 8022	
Material	Item description Weight Trolley, 255 kg.		
Surface treatment	Item no. 103301	Status	Version 01
Mass 254,5 kg.	This drawing is the property of IMMO A/S. Unauthorized copying and distribution is prohibited.		Scale 1 : 8
Unspecified tolerances ISO 2768-1m			Size A3 [mm]
			Sheet 1 of 1