



Creating balance in healthcare



Vienna Dressing table



Vienna Dressing table



6500 4020 / 6500 4025
Vienna Dressing table
hydraulic height adjustable

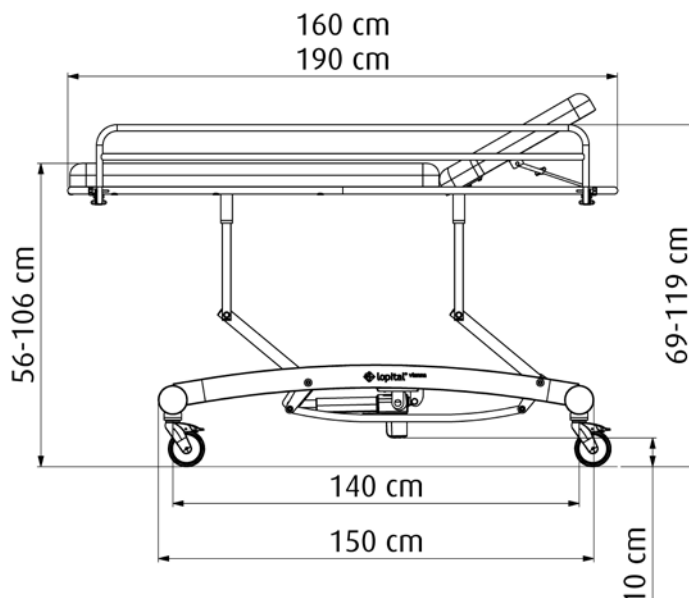
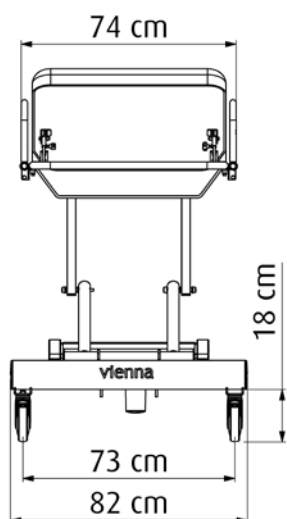
- Synthetic blue leather upholstery
- 4 stainless steel double braked swivel castors
- Adjustable backrest
- Side rails

Technical specifications 6500 4020

- Max. load 150 kg / 330 lbs
- Product weight 56 kg / 124.0 lbs
- Length 160 cm / 63.0 inch
- Width 82 cm / 32.3 inch
- Height (adjustable) 56 to 106 cm / 22.0 to 41.7 inch

Technical specifications 6500 4025

- Max. load 150 kg / 330 lbs
- Product weight 59 kg / 130.1 lbs
- Length 190 cm / 74.8 inch
- Width 82 cm / 32.3 inch
- Height (adjustable) 56 to 106 cm / 22 to 41.7 inch





Suitable for people with a moderate to very severe disability

6500 4021 / 6500 4026

Vienna Dressing table electric height adjustable

- Synthetic blue leather upholstery
- 4 stainless steel double braked swivel castors
- Adjustable backrest
- Side rails



Technical specifications 6500 4021

- Max. load 150 kg / 330 lbs
- Product weight 60 kg / 132.3 lbs
- Length 160 cm / 63.0 inch
- Width 82 cm / 32.3 inch
- Height (adjustable) 56 to 106 cm / 22 to 41.7 inch
- High / low drive Actuator 24V DC
- Controlbox 24V DC, max. 250W
- Battery 24V, max. 250W
- Charger 230V AC, connection value 100W, wall mounted
- Waterproofness IPX4

Technical specifications 6500 4026

- Max. load 150 kg / 330 lbs
- Product weight 63 kg / 138.9 lbs
- Length 190 cm / 74.8 inch
- Width 82 cm / 32.3 inch
- Height (adjustable) 56 to 106 cm / 22 to 41.7 inch
- High / low drive Actuator 24V DC
- Controlbox 24V DC, max. 250W
- Battery 24V, max. 250W
- Charger 230V AC, connection value 100W, wall mounted
- Waterproofness IPX4



Suitable for people with a moderate to very severe disability

6500 5015 / 6500 5020

Vienna Dressing table electric height adjustable

- Wall mounted
- Synthetic blue leather upholstery
- Foldable, gas spring assisted
- Suitable for bathrooms with a minimum height of 230 cm / 90.6"
- Synthetic screen guard
- Adjustable backrest
- Side rail
- **Optional:** extra battery pack

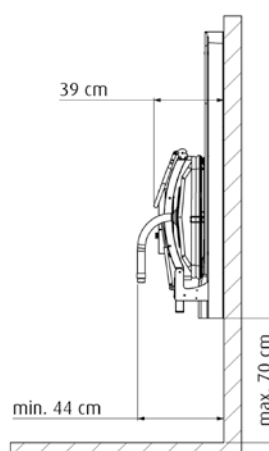
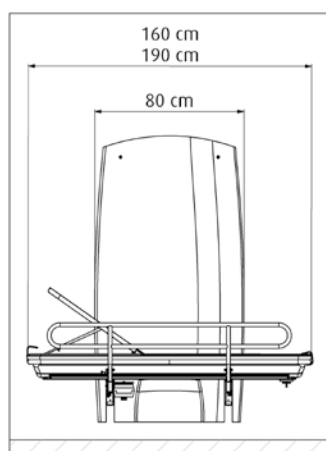


Technical specifications 6500 5015

- | | |
|-----------------------|---|
| • Max. load | 150 kg / 330 lbs |
| • Product weight | 75 kg / 165 lbs |
| • Length | 160 cm / 63.0 inch |
| • Width | 91 cm / 35.8 inch |
| • Height (adjustable) | 49 to 109 cm /
19.3 to 42.9 inch |
| • High / low drive | Actuator 24V DC |
| • Controlbox | 24V DC, max. 250W |
| • Battery | 24V, max. 250W |
| • Charger | 230V AC, connection value
100W, wall mounted |
| • Waterproofness | IPX4 |

Technical specifications 6500 5020

- | | |
|-----------------------|---|
| • Max. load | 150 kg / 330 lbs |
| • Product weight | 78 kg / 172 lbs |
| • Length | 190 cm / 74.8 inch |
| • Width | 91 cm / 35.8 inch |
| • Height (adjustable) | 49 to 109 cm /
19.3 to 42.9 inch |
| • High / low drive | Actuator 24V DC |
| • Controlbox | 24V DC, max. 250W |
| • Battery | 24V, max. 250W |
| • Charger | 230V AC, connection value
100W, wall mounted |
| • Waterproofness | IPX4 |



759 Flory Mill Road, Lancaster PA 17601
 Toll Free: 855-528-0421 | www.ProCare-innovations.com