



Creating balance in healthcare



# Tango XL Shower-toilet chair



5100 5705

# Tango XL Shower-toilet chair



5100 5705

## Tango XL Shower-toilet chair

The Tango XL Shower-toilet chair by Lopital is a shower aid to assist in the responsible care and bathing of patients and residents. The comfort provided by the Tango XL is optimal for both the caregiver and the client.

The Tango XL can also be used over a toilet. The many possibilities and the beautiful design of the Tango XL, make the chair an attractive and user-friendly product.

- Maximum load 250 kg / 550 lbs.
- Mobile
- Extra wide foldable armrests
- 4 plastic castors with brakes, 1 directional wheel
- Two-piece upholstered seat with toilet opening
- Rail for toilet bucket or bedpan
- Swing-out and removable footrests. Height adjustable
- Can be wheeled over the toilet

### Options:

- Product no. 6950 1104 Plastic bedpan and lid
- Product no. 6975 8044 Safety belt
- Product no. 6960 8026 Adjustable comfort leg supports
- Product no. 6975 8045 Four point safety belt
- Product no. 7500 5693 Raising set 10 t/m 30 mm.



*Tango XL with comfort leg supports.*



Suitable for people with a mild to moderate disability



Two parted seat with front and back openings. Easy removable snaplock seat.



Foldable armrests.



Directional wheel



Swing-out and removable footrests. Height adjustable.



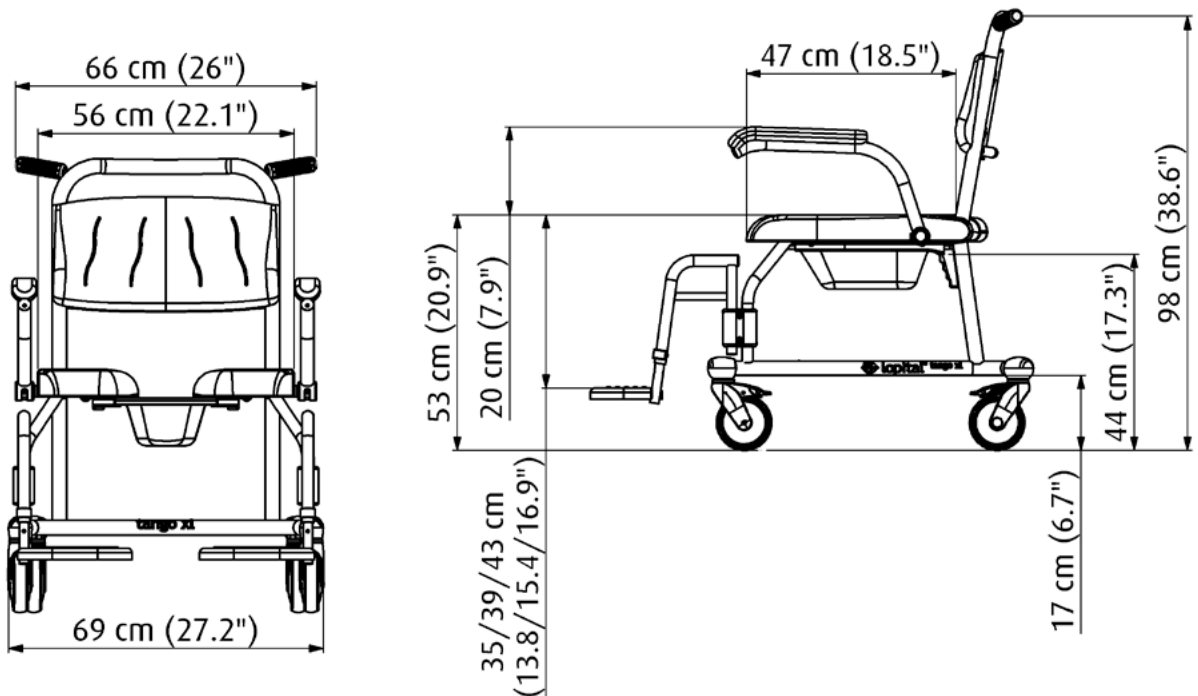
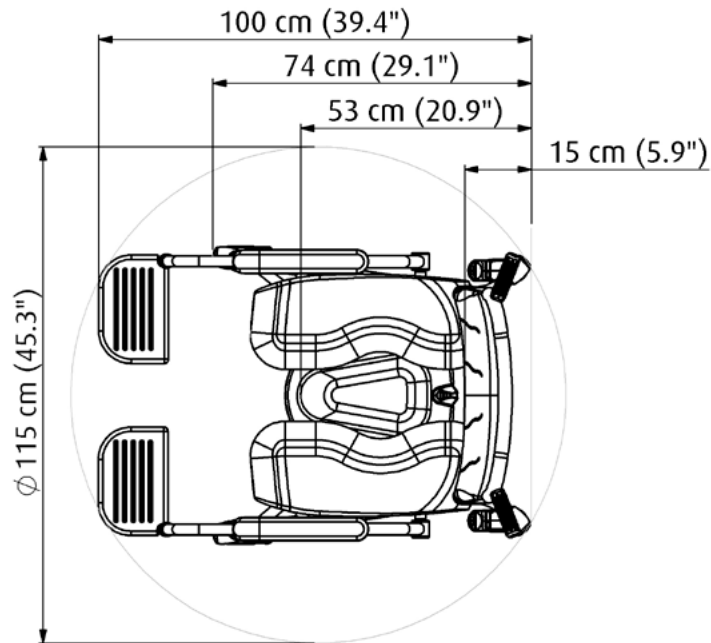
**Option:** Product no. 7500 5693  
Raising set 10 t/m 30 mm.



**Option:** Product no. 6960 8026 Adjustable comfort leg supports.

## Technical specifications

• Max. load	250 kg / 550 lbs	• Seat height	53 cm / 20.9 inch
• Product weight	24 kg / 52.9 lbs	• Total length base frame	100 cm / 39.4 inch
• Seat width	56 cm / 22.0 inch	• Total width base frame	69 cm / 27.2 inch
• Seat depth	47 cm / 18.5 inch	• Turning radius	115 cm / 45.3 inch



759 Flory Mill Road, Lancaster PA 17601  
 Toll Free: 855-528-0421 | [www.ProCare-innovations.com](http://www.ProCare-innovations.com)