



Creating balance in healthcare



# Tango Shower-toilet chair



5100 5700

# Tango Shower-toilet chair



## 5100 5700 Tango Shower-toilet chair

The Lopital Tango is a shower assistive device providing client care and bathing in a responsible manner. The Tango provides optimum comfort for the caregiver as well as the client.

The Tango can be used as a shower chair as well as a toilet chair that can be wheeled over the toilet. The many options and design makes the Tango chair a nice-looking and user-friendly product.

The footrests are easily flipped up and swung away. This makes it easier to get into and out of the chair. The Tango is equipped with handles that improve maneuverability and drivability. The ergonomic handle design has the advantage of preventing joint problems.

- Maximum load 180 kg / 400 lbs.
- Foldable upholstered armrests
- Upholstered seat with toilet opening and inlay
- Rail for toilet bucket or bedpan
- Movable over the toilet
- Foldable and swing-out footrests
- 4 plastic castors, fitted with brakes
- Ergonomical seat comfort

### Options:

- Product no. 6840 5660 Front locking armrests
- Product no. 6840 5661 Dual locking armrests
- Product no. 6950 1104 Plastic bedpan and lid
- Product no. 6950 1120 Safety belt
- Product no. 6950 5624 Platilon backrest
- Product no. 6950 5625 Platilon seat
- Product no. 6975 8045 Four point safety belt
- Product no. 7500 5693 Raising set 10 t/m 30 mm.
- Product no. 7556 0025 Directional wheel left front





Suitable for people with a mild to moderate disability



*Foldable straight armrests.*



*Ergonomical seat for toilet use.*



*Inlay for toilet opening.*



**Option:** Product no. 6950 1104  
*Plastic bedpan and lid.*



**Option:** Product no. 6840 5660  
*Front locking armrests.*



**Option:** Product no. 6840 5661  
*Dual locking armrests.*

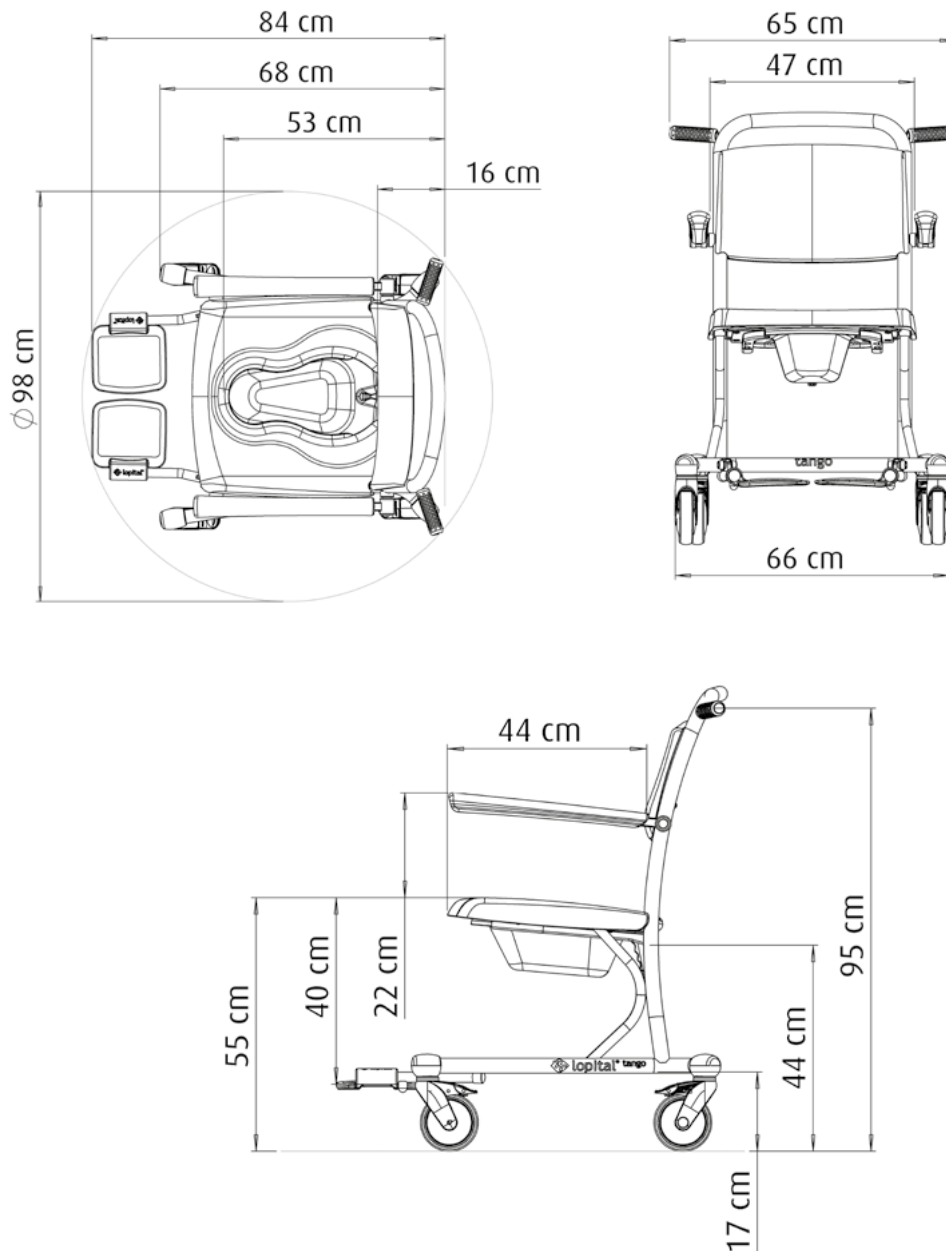


*Foldable and swing-out footrests.*



## Technical specifications

- |                  |                   |                           |                   |
|------------------|-------------------|---------------------------|-------------------|
| • Max. load      | 180 kg / 400 lbs  | • Seat height             | 55 cm / 21.7 inch |
| • Product weight | 19 kg / 41.9 inch | • Total length base frame | 84 cm / 33.1 inch |
| • Seat width     | 47 cm / 18.5 inch | • Total width base frame  | 66 cm / 26.0 inch |
| • Seat depth     | 44 cm / 17.3 inch | • Turning radius          | 98 cm / 38.6 inch |



759 Flory Mill Road, Lancaster PA 17601  
 Toll Free: 855-528-0421 | [www.ProCare-innovations.com](http://www.ProCare-innovations.com)

