



Creating balance in healthcare



# Nemo Shower-toilet chair



5100 5100

# Nemo tilting Shower-toilet chair



5100 5100

## Nemo tilting Shower-toilet chair

The Lopital Nemo is a mobile tilting shower-toilet chair, which has been developed to give both user and carer maximum security and support during the showering and personal care process. In combination with a bedpan, bucket or toilet, the Nemo can also be used as a toilet chair.

The Nemo consists of a frame and a chair. The chair has the same comfort as a normal chair and offers the same correct support. It can be infinitely tilted to 30° from the frame by means of a gas spring. This means the Nemo can be used for multifunctional purposes.

The Nemo is supplied standard with a head / neck support which can be adjusted in both height and depth. The chair has straight, independently foldable arm rests and the ergonomically shaped foot supports are foldable and removable.

- Maximum load 150 kg / 330 lbs / 330.7 lbs.
- Tilt setting from 0 to 30°
- Upholstered seat with toilet opening and inlay
- Foldable upholstered armrests for sideways transfer
- Ergonomically formed seat and backrest
- Head / neck support adjustable in height and depth
- Foldable and removable footrests with calf protection
- Rail for toilet bucket or bedpan
- 4 plastic castors, fitted with brakes

### Options

- Product no. 6840 5660 Front locking armrests.
- Product no. 6840 5661 Dual locking armrests.
- Product no. 6950 1104 Plastic bedpan and lid.
- Product no. 6950 1120 Safety belt.
- Product no. 6950 5624 Platilon backrest.
- Product no. 6950 5625 Platilon seat.
- Product no. 6960 8026 Adjustable comfort leg supports.
- Product no. 6975 8045 Four point safety belt.
- Product no. 7500 5693 Raising set 10 t/m 30 mm.
- Product no. 7556 0025 Directional wheel left front.



**Option:** Product no. 6960 8026 Comfort leg supports.



Suitable for people with a mild to severe disability



Easy to operate by means of the control handle.



Gas spring for the infinite adjustment of the shower-toilet chair.



**Option:** Product no. 6950 1104  
Plastic bedpan.



**Option:** Product no. 6840 5660  
Foldable upholstered armrests with front lock.



Standard equipped with a head / neck support. Adjustable in height and depth.



Foldable and removable footrests.



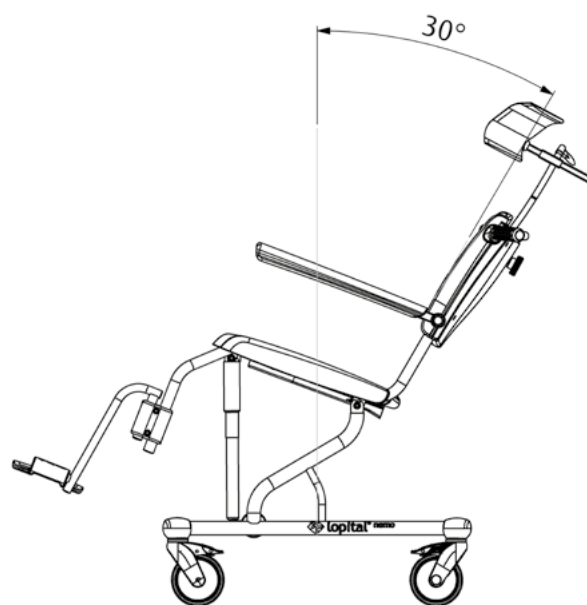
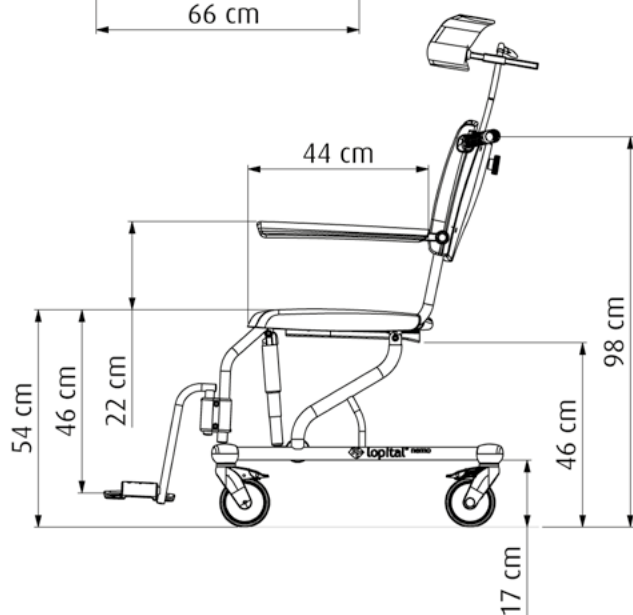
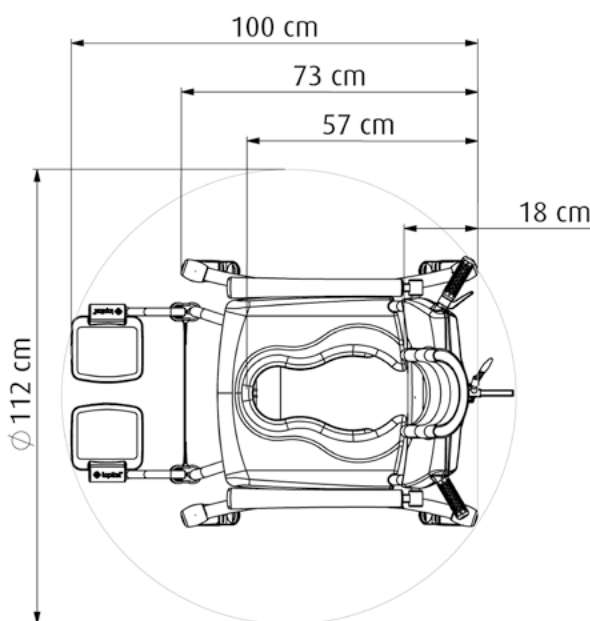
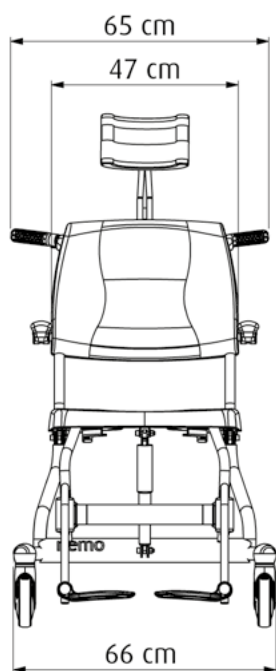
Normal position.



Tilting function up to 30° backwards.

## Technical specifications

- Max. load 150 kg / 330 lbs
- Product weight 24 kg / 52.9 lbs
- Seat width 47 cm / 18.5 inch
- Seat depth 44 cm / 17.3 inch
- Seat height 54 cm / 21.3 inch
- Total length basic frame 73 cm / 28.7 inch
- Total width basic frame 66 cm / 26 inch
- Head / neck support depth / height 7 cm / 2.8 inch & 12 cm / 4.7 inch
- Turning radius 112 cm / 44.1 inch
- Tilt setting 0 to 30 degrees



759 Flory Mill Road, Lancaster PA 17601  
 Toll Free: 855-528-0421 | [www.ProCare-innovations.com](http://www.ProCare-innovations.com)



**ProCare  
 Innovations**  
 TRANSFORMING CARE. IMPROVING LIFE

