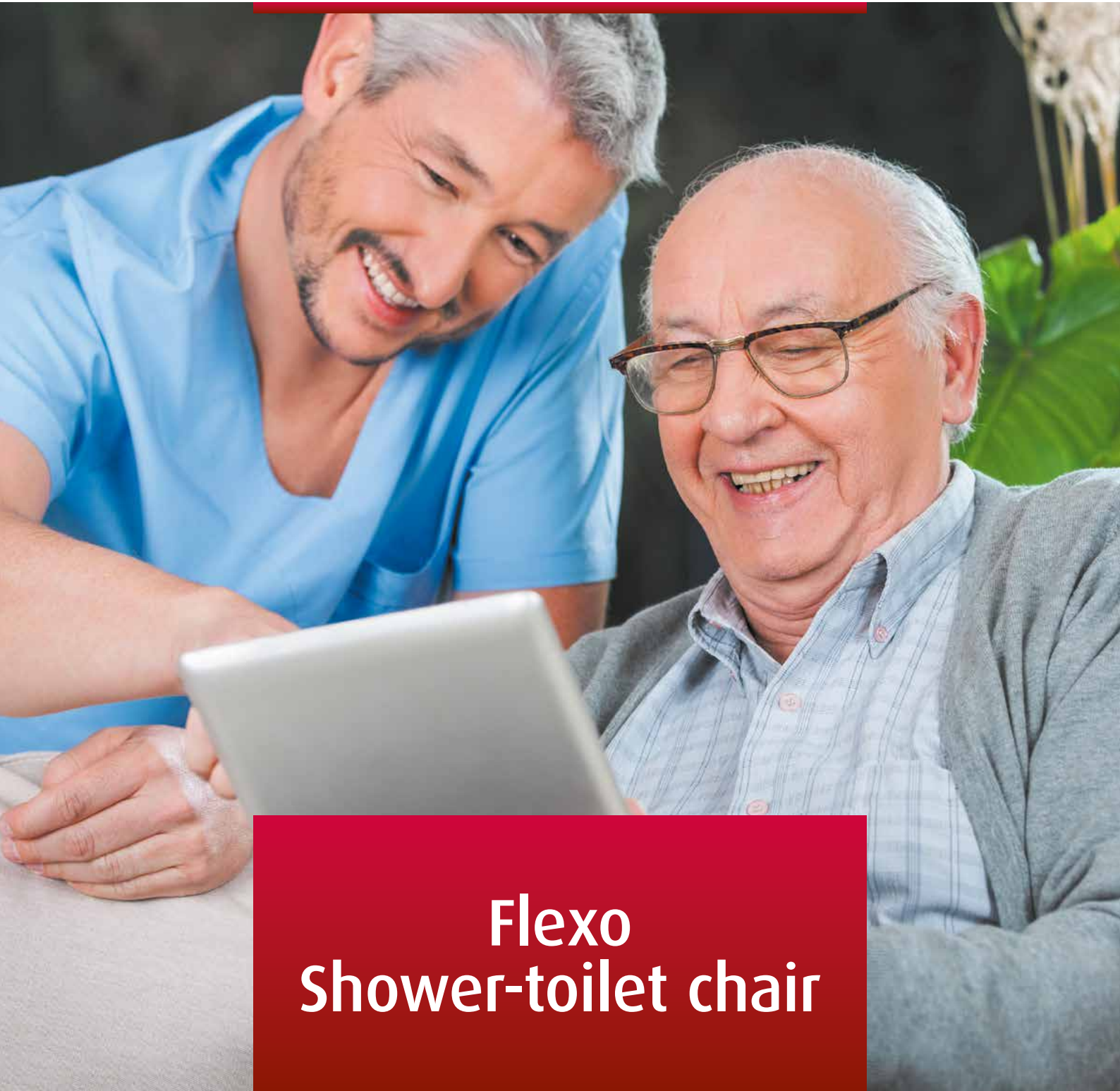




Creating balance in healthcare



Flexo Shower-toilet chair



5100 5199

Flexo Shower-toilet chair



5100 5199

Flexo Shower-toilet chair with removable footrests

Caring for clients with traditional shower-toilet chairs is heavy work. The caregiver is obliged to work in unnatural postures and suffer from static back strain. Lopital offers relief with the height-adjustable Flexo shower-toilet chair.

The Flexo provides comfort and security for both carers and clients. Its flexible height reduces back strain suffered by carers to a minimum, which allows the Flexo to make an important contribution to the healthcare sector health and safety policy.

When Flexo is set at the highest position, caregiver and client are able to make eye contact. The chair will reach automatically the maximum inclination, thereby ensuring optimal client safety. The special Flexo design enables the chair to be wheeled directly over the toilet, provided it is on the correct setting.

- Maximum load 150 kg / 330 lbs.
- Tilt setting from 0 to 20 degrees.
- Simple adjustable hydraulic height control.
- Upholstered seat with toilet opening and inlay.
- Upholstered fold-up front locking armrests.
- Swing-out and removable footrests with calf protection.
- Footrests touch the ground when in lowest position.
- The chair will reach a maximum inclination of 20° in highest position.
- Safe hip fixation.
- Rail for toilet bucket or bedpan.
- 4 plastic castors, fitted with brakes.
- Ergonomical seat comfort.

Opties

- Product no. 7056 5001 Straight armrest.
- Product no. 6840 5500 Adjustable head / neck support.
- Product no. 6840 5661 Dual locking armrests.
- Product no. 6950 1104 Plastic bedpan and lid.
- Product no. 6975 8044 Safety belt.
- Product no. 6950 5624 Platilon backrest.
- Product no. 6950 5625 Platilon seat.
- Product no. 6960 8026 Adjustable comfort leg supports.
- Product no. 6975 8045 Four point safety belt.
- Product no. 7556 0025 Directional wheel left front.



Option: Product no. 6960 8026 Adjustable comfort leg supports.



Suitable for people with a mild to severe disability



High / low control by foot pump.



Individual fold-up front locking armrests.



Option: Product no. 7056 5001
Straight armrest.



Swing-out and removable footrests with calf protection.



Option: Product no. 6840 5500
Adjustable head / neck support.



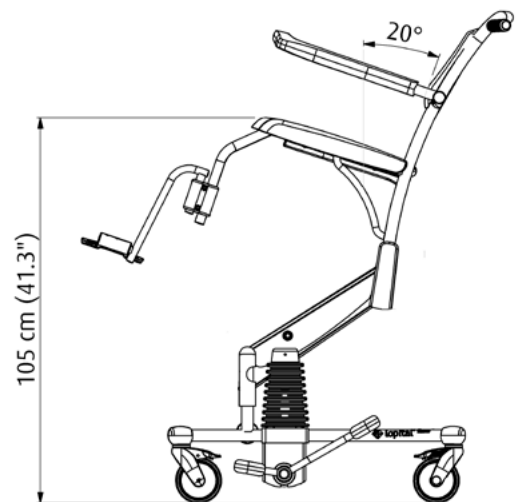
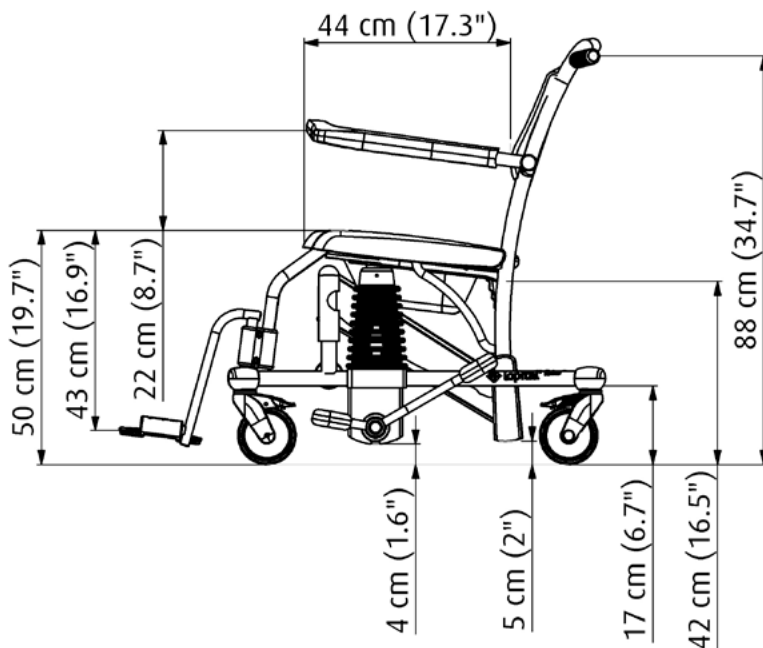
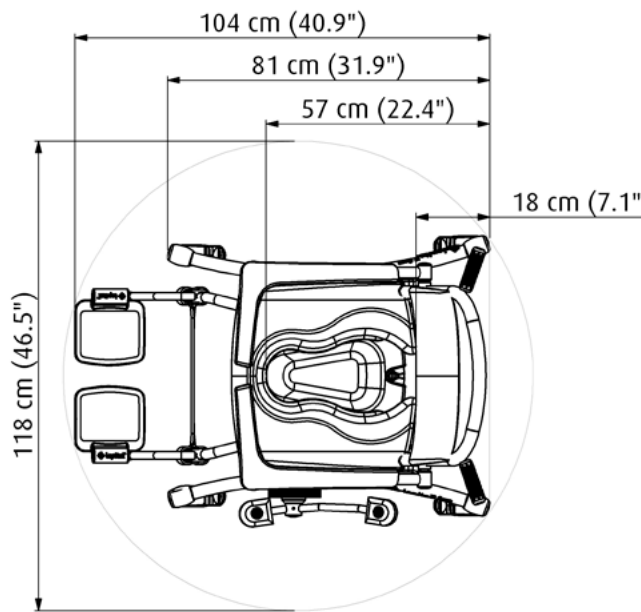
Flexo in lowest position.



Flexo in highest position.

Technical specifications

- Max. load 150 kg / 330 lbs
- Product weight 38 kg / 83.8 lbs
- Seat width 47 cm / 18.5 inch
- Seat depth 44 cm / 17.3 inch
- Seat height (adjustable) 50 to 105 cm / 19.7 to 41.3 inch
- Total length base frame 104 cm / 40.9 inch
- Total width base frame 73 cm / 28.7 inch
- Turning radius 118 cm / 46.5
- Tilt setting 0 to 20 degrees



759 Flory Mill Road, Lancaster PA 17601
 Toll Free: 855-528-0421 | www.ProCare-innovations.com