



Creating balance in healthcare



Elexo XXL Shower-toilet chair



5100 5300

Elexo XXL Shower-toilet chair



5100 5300

Elexo XXL Shower-toilet chair high / low

Caring for obese clients with traditional shower-toilet chairs is heavy work. The caregivers is obliged to work in unnatural postures and suffer from static back strain. Lopital offers relief with the height-adjustable Elexo XXL shower-toilet chair.

The electric height-adjustability ensures that the seat reaches a maximum tilting angle of 20 degrees when at its maximum height, thereby creating the optimum seating balance for the client.

The Elexo XXL provides comfort with the ergonomically shaped seat, calf support and foldable extended armrests.

- Maximum load 220 kg / 485 lbs.
- Tilt setting from 0 to 20 degrees.
- Simple electric high / low adjustment by hand control with battery indicator.
- 3 plastic castors fitted with brakes.
- 1 direction wheel.
- Extremely stable due to the fitting of 2 lifting motors.
- Rail for toilet bucket or bedpan.
- With sleep mode setting after 60 minutes.
- Simple to recharge with charger included.
- Extended and fully foldable armrests.
- Two-piece seat opened at two sides.
- Ergonomic calf support.
- Swing-out and removable footrests. Height adjustable.

Options

- Product no. 6950 1104 Plastic bedpan and lid.
- Product no. 6975 8044 Safety belt.
- Product no. 6975 8045 Four point safety belt.





Suitable for people with a moderate to severe disability



Two parted seat with front and back openings. Easy removable snaplock seat.



Rail for toilet bucket or bedpan.



Emergency stop.



Independently foldable armrests.



Swing-out and removable footrests. Height adjustable.



Charge point with magnetic coupling.



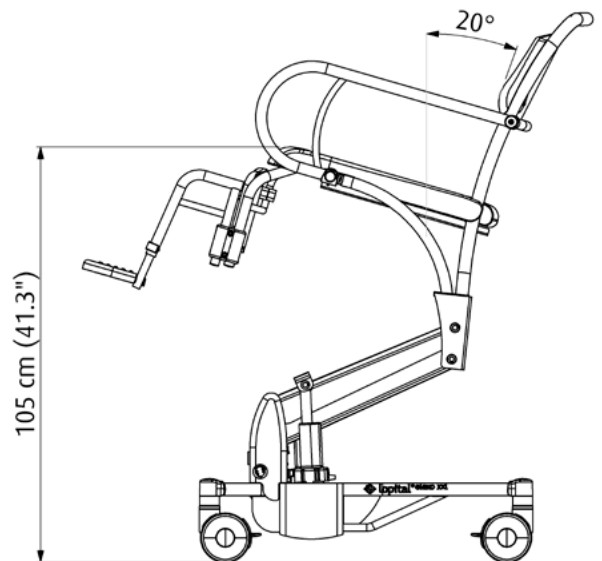
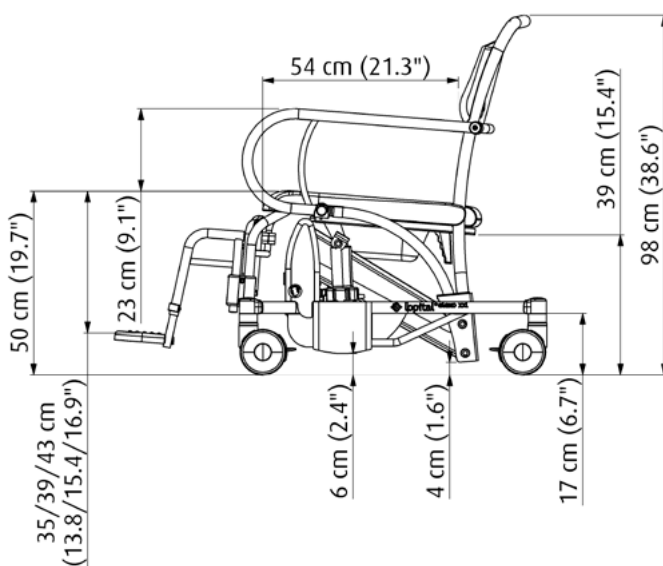
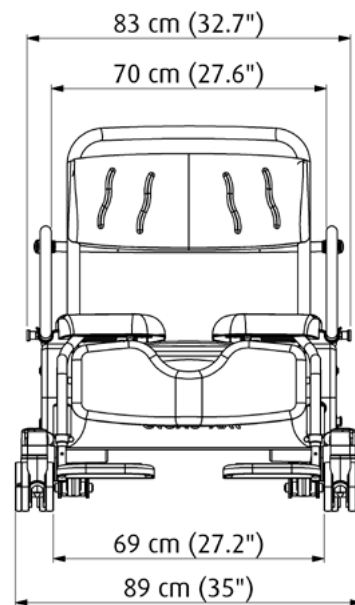
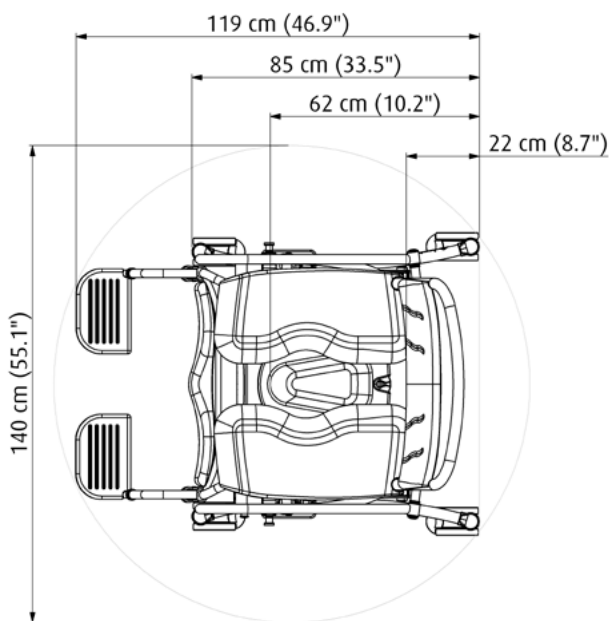
Elexo XXL lowest position.



Elexo XXL highest position, 20 degrees tilt setting.

Technical specifications

- | | | | |
|----------------------------|-------------------------------------|--------------------|---|
| • Max. load | 220 kg / 485 lbs | • Turning radius | 140 cm / 55.1 inch |
| • Product weight | 71 kg / 156.5 lbs | • Electrical power | 24V |
| • Seat width | 70 cm / 27.6 inch | • Battery capacity | 2 x 12V, 7.2Ah |
| • Seat depth | 54 cm / 21.3 inch | • Charger | 220V 50 / 60Hz 500mA
with magnetic coupling |
| • Seat height (adjustable) | 50 to 105 cm /
19.7 to 41.3 inch | • Security | - On / off switch
- Emergency stop
- Emergency lowering |
| • Total length base frame | 119 cm / 46.9 inch | • Waterproofness | IPX4 |
| • Total width base frame | 89 cm / 35.0 inch | | |
| • Tilt setting | 0 to 20 degrees | | |



759 Flory Mill Road, Lancaster PA 17601
 Toll Free: 855-528-0421 | www.ProCare-innovations.com

 **ProCare
 Innovations**
TRANSFORMING CARE. IMPROVING LIFE



All of the aids produced by Lopital fulfil the following norms: MDR (EU) 2017/745, NEN-EN-ISO 14971, ISO 17966, ISO 9001:2015, ISO 13485:2016/C12:2018, NEN-EN 12182, ISO 60601, EN ISO 60601-1-2, EN ISO 60601-1-6, EN ISO 62366, CAN/CSA 60601, ANSI/AAMI ES 60601-1