

# ProCare Medical

*healthcare solutions<sup>2</sup>*



# ELK

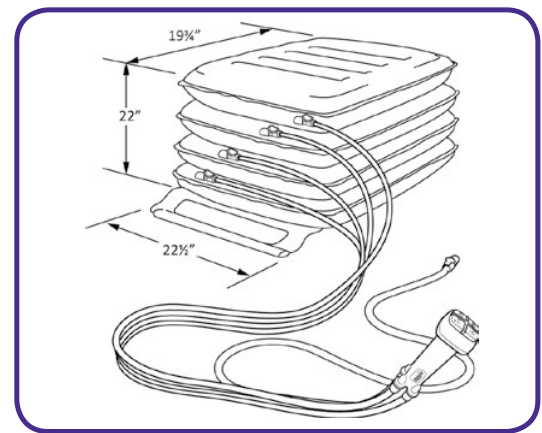
## Lifting Cushion

The Mangar ELK and Camel lifting cushions are practical, efficient manual handling products that are used in emergency services and care home settings across the world. Inflated by an Airflo 24 Compressor, a fallen person can be lifted in minutes.

# ELK Lifting Cushion

Patient  
Lifting

The ELK is a lifting cushion designed to lift from the floor.



Product code: MPCA070200

## Easy to use

- Lifting cushion is inflated using an Airflo Compressor with a simple hand control
- Simple to use, requiring very little training
- Suitable for use inside or out
- Can be used by one carer

## Simple to maintain

- Clean using a proprietary non-abrasive mild liquid cleaner.
- Easy to deflate, fold away and store
- The Riverseal® material is designed to an exceptionally high standard, with extraordinary durability, strength and performance in the toughest environments.

## Safe lifting

- Lifts the frailest person up to 980 lbs from the floor
- Exceptionally rigid and stable
- Ideal for care giver of individuals with neurological disorders who fall regularly

## Improves wellbeing

- Provides a safe, dignified lift for a fallen person
- Reduces the risk of musculoskeletal injury for the care giver
- Can be used in confined spaces where traditional lifting equipment may not fit

## Technical Specifications

Max user weight	980 lbs
Max height	22"
Min height	Flat
Seat depth	20"
Width	22 ½"
Total product weight	8 lbs
Airflo Compressor	24
Lifting performance per charge	9 lifts